

PASO Paging Amplifiers

Provided by Aiphone

T3115BGM (15W); T3130BGM (30W); DMA2060 (60W); DMA2120 (120W)

- Supplemental Wiring Instructions for connecting with Aiphone Systems -

Aiphone offers a series of Paging Amplifiers to provide paging and other features for many of our systems. These amplifiers are manufactured by PASO, and are available in 15, 30, 60, and 120 Watt sizes. When adding background music to the NEM system, Group Call or All Call to the AI-900 system, or paging to a large variety of other Aiphone systems, these amplifiers are tested and approved. This supplemental instruction manual includes wiring diagrams for applications with Aiphone systems. See PASO Installation & Operation Manual included with the product for complete information on these products.



15 and 30 Watt Amplifiers



60 and 120 Watt Amplifiers

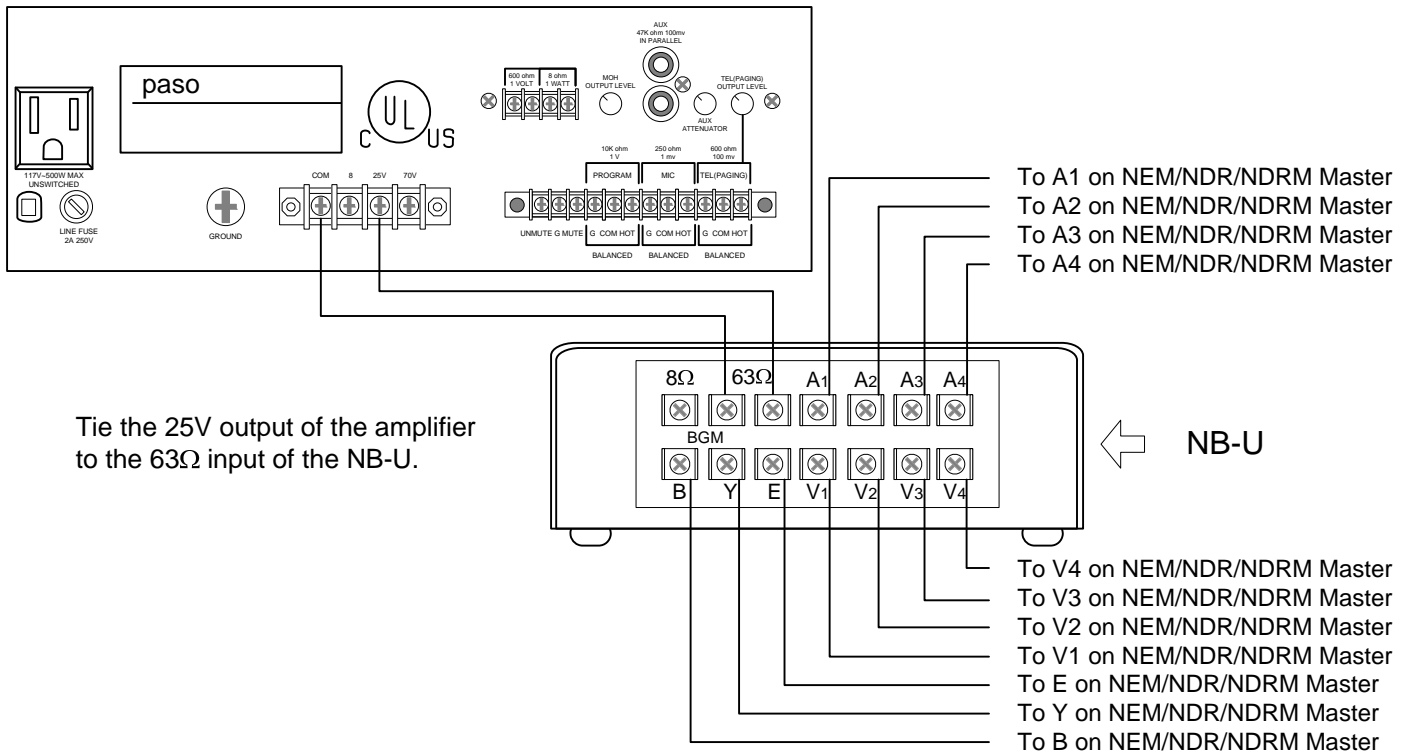
AVAILABLE MODELS	WATTAGE	APPLICATIONS
T3115BGM	15 Watts	- Background Music for NEM System - Paging & Background Music
T3130BGM	30 Watts	- All Call & Group Call for AI-900 System - Paging & Background Music
DMA2060	60 Watts	- Paging & Background Music
DMA2120	120 Watts	- Paging & Background Music

When using the above Amplifiers for Paging via an Aiphone system, match the appropriate paging adaptor with the system being used. Choose the amplifier based on input and output requirements for your application.

PAGING ADAPTOR	SYSTEM
AXW-PA1	AX
BA-1	LEM, LEF, LAF-C/CA, LDF-C/CA, NEM, NDR, NDRM
BA-1P	AP-M, MP-S
MC-A/A	MC-60/4A
PD-1	TD-H
PD-2 (w/Talkback)	TD-H
YAW-R/B	YAZ

WIRING DIAGRAM

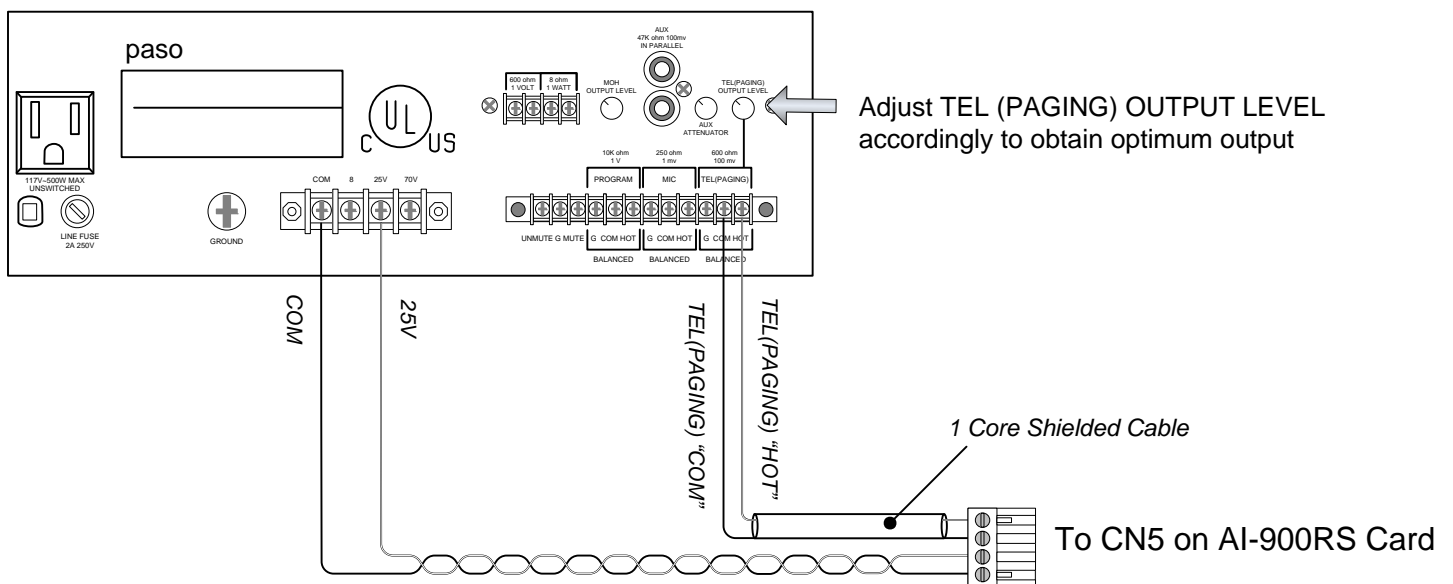
T3115BGM with the NB-U for Background Music for NEM System:



WIRING DIAGRAM

T3130BGM with the AI-900RS for Group Call / All Call on the AI-900 System

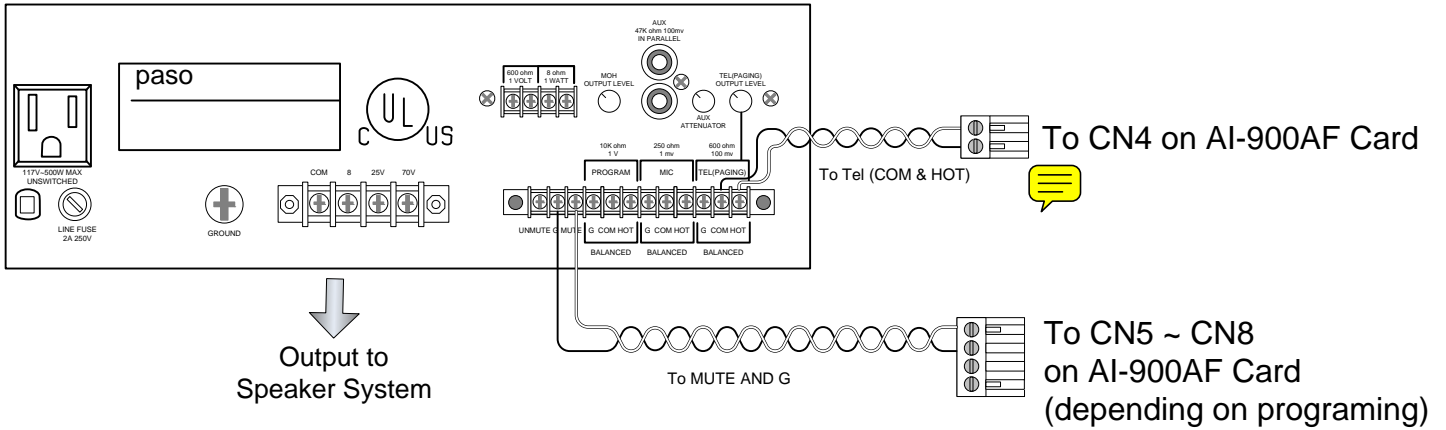
Include one T3130BGM for each AI-900RS card in the system where sub stations require Group Call or All Call.



WIRING DIAGRAM

T3115BGM or T3130BGM with the AI-900AF:

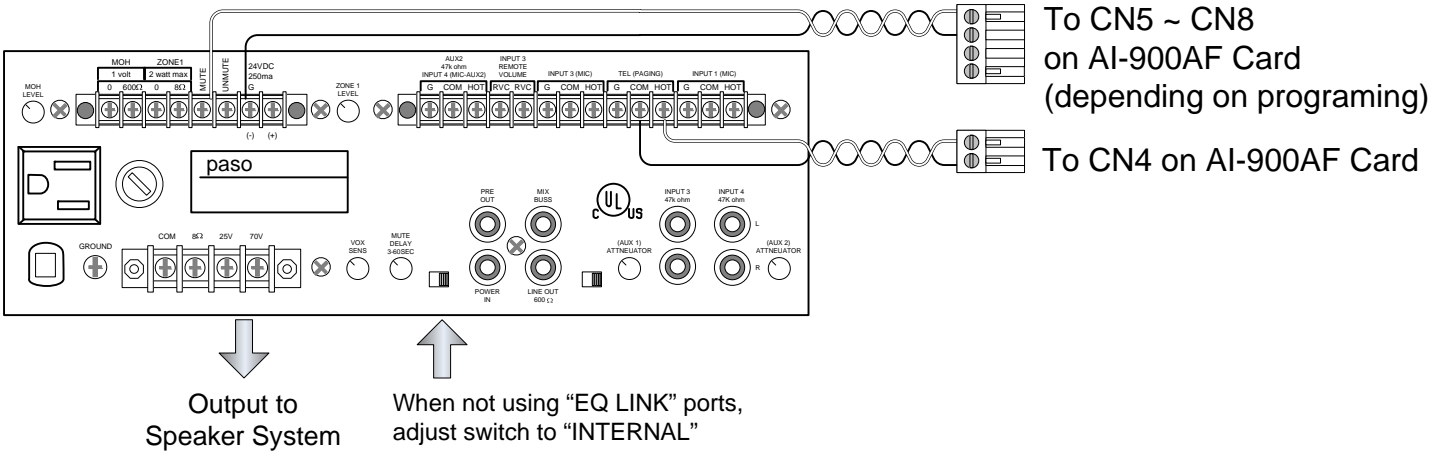
Page through an overhead speaker system from an AI-900 system, using an AI-900AF card.



WIRING DIAGRAM

DMA2060 or DMA2120 with the AI-900AF:

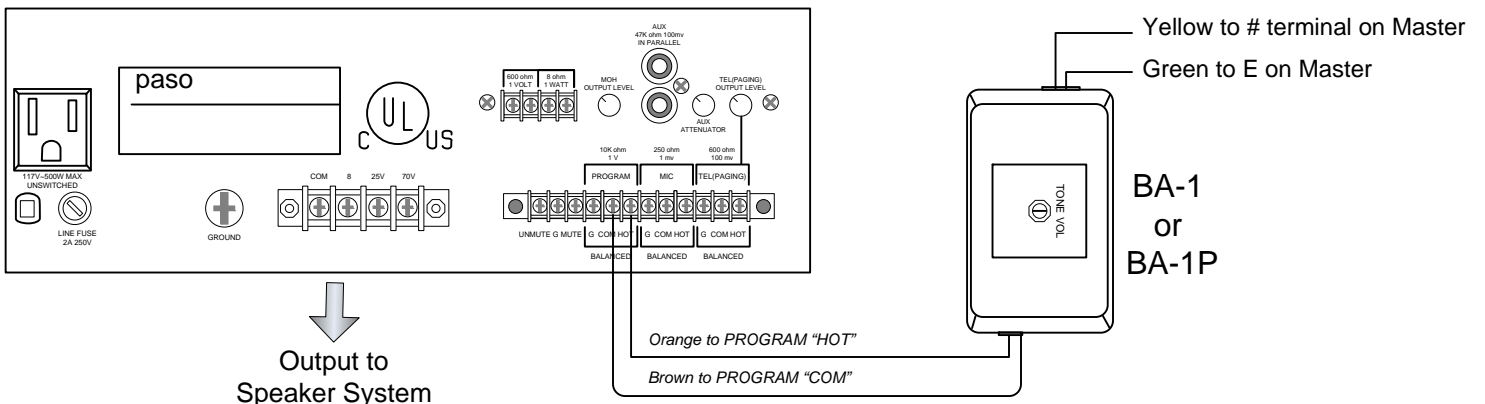
Page through an overhead speaker system from an AI-900 system, using an AI-900AF card.



WIRING DIAGRAM

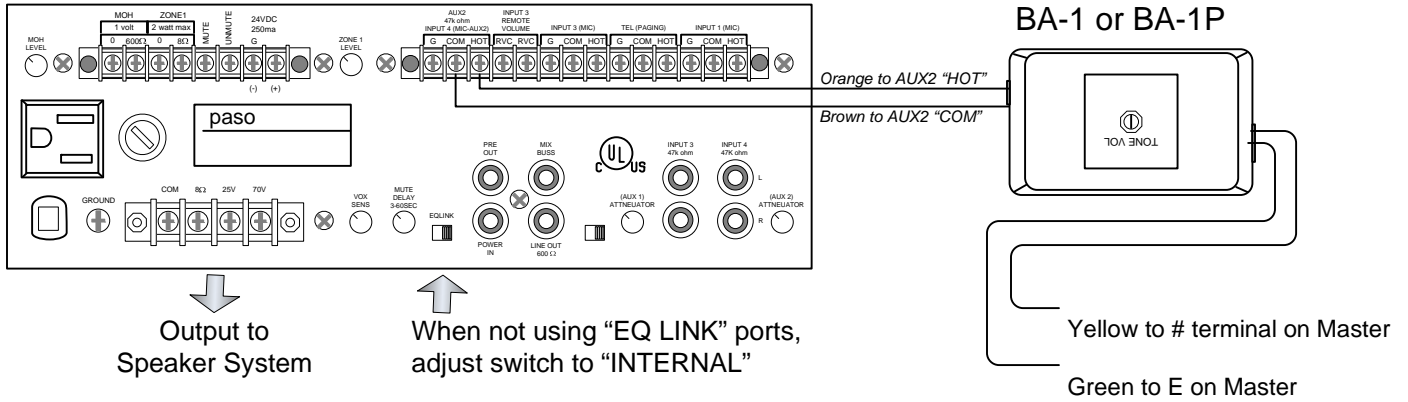
T3115BGM or T3130BGM with the BA-1 or BA-1P:

Page through an overhead speaker system from a channel selector on an Aiphone Master Station. See page 1 for systems compatible with the BA-1 and BA-1P.



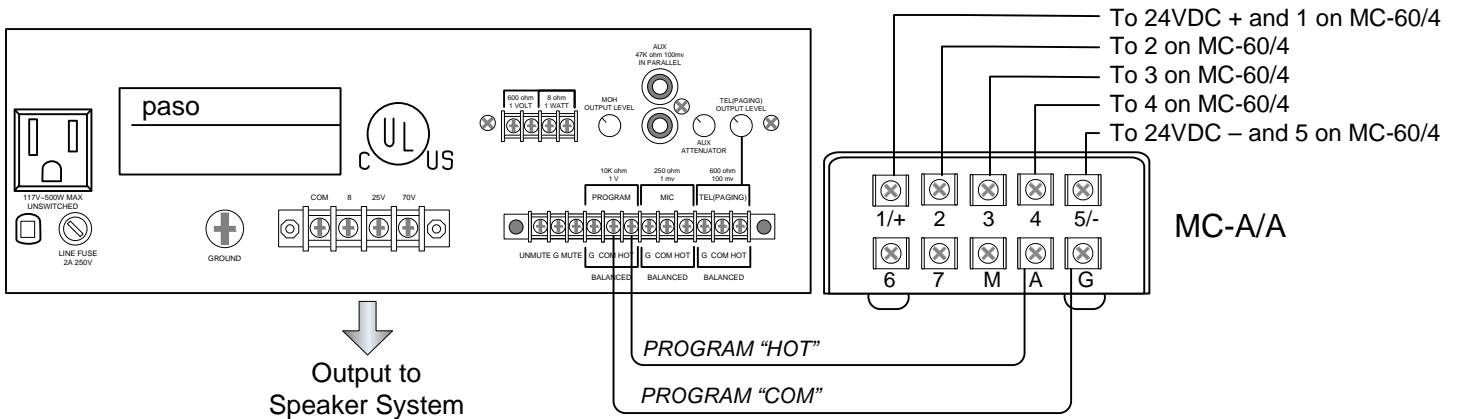
WIRING DIAGRAM

DMA2060 or DMA2120 with the BA-1 or BA-1P:



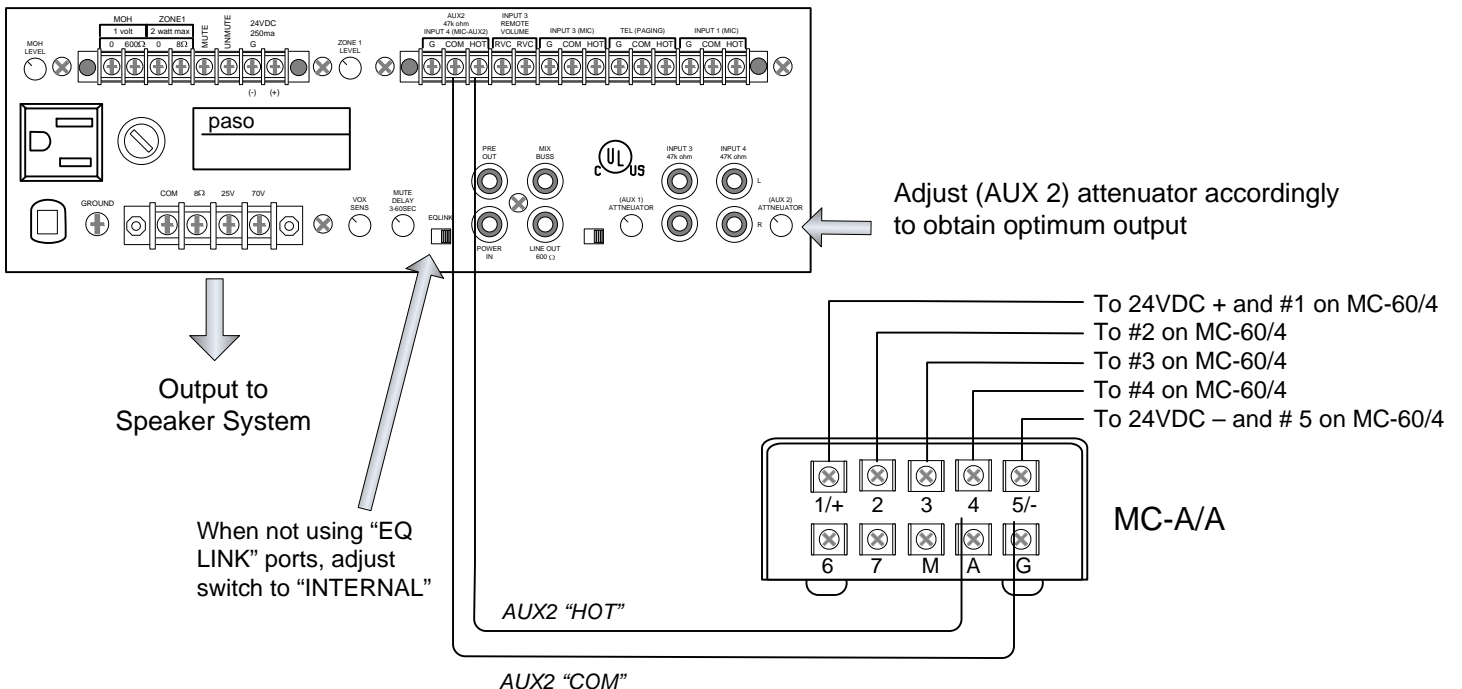
WIRING DIAGRAM

T3115BGM or T3130BGM with the MC-A/A on the MarketCom System:



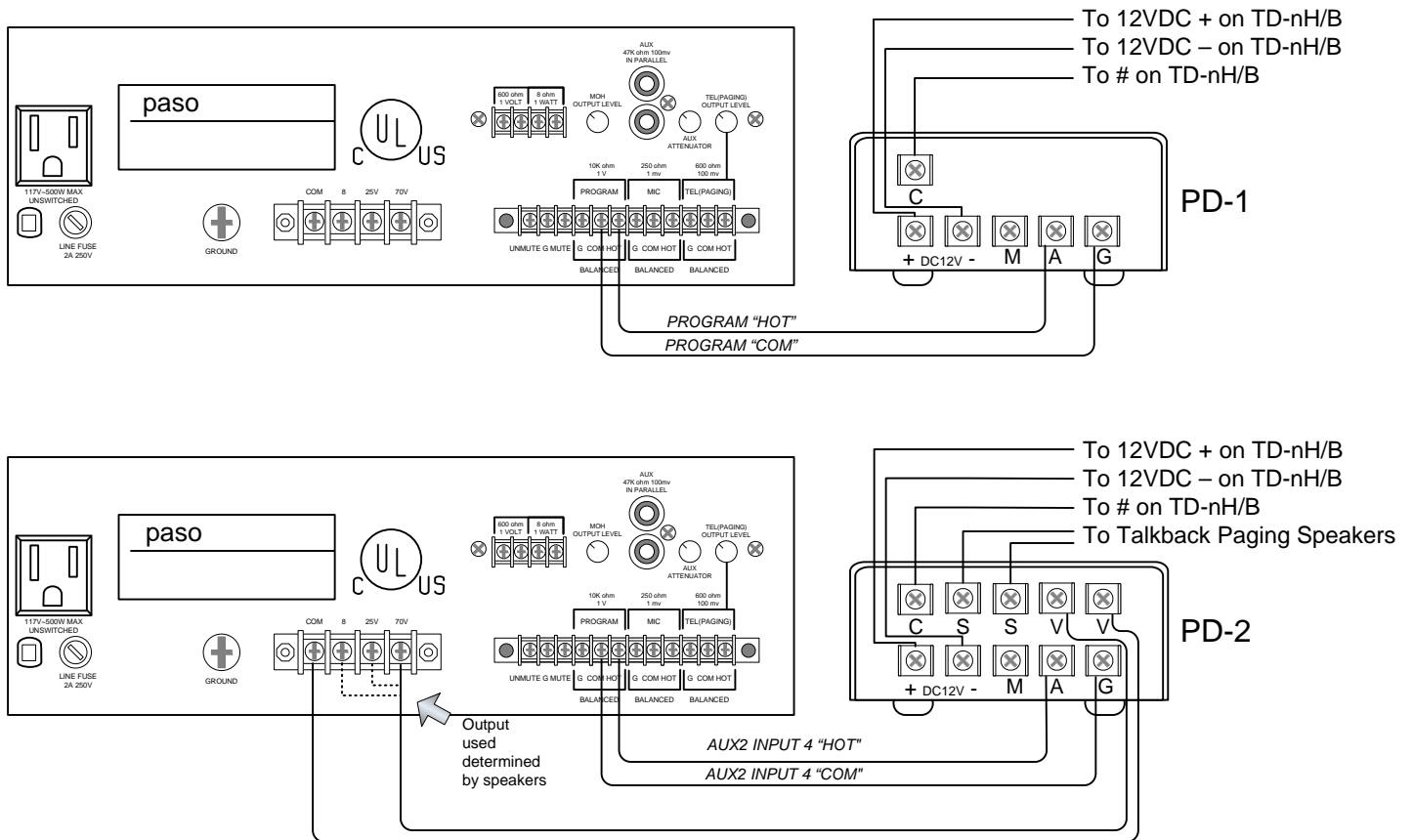
WIRING DIAGRAM

DMA2060 or DMA2120 with the MC-A/A on the MarketCom System:



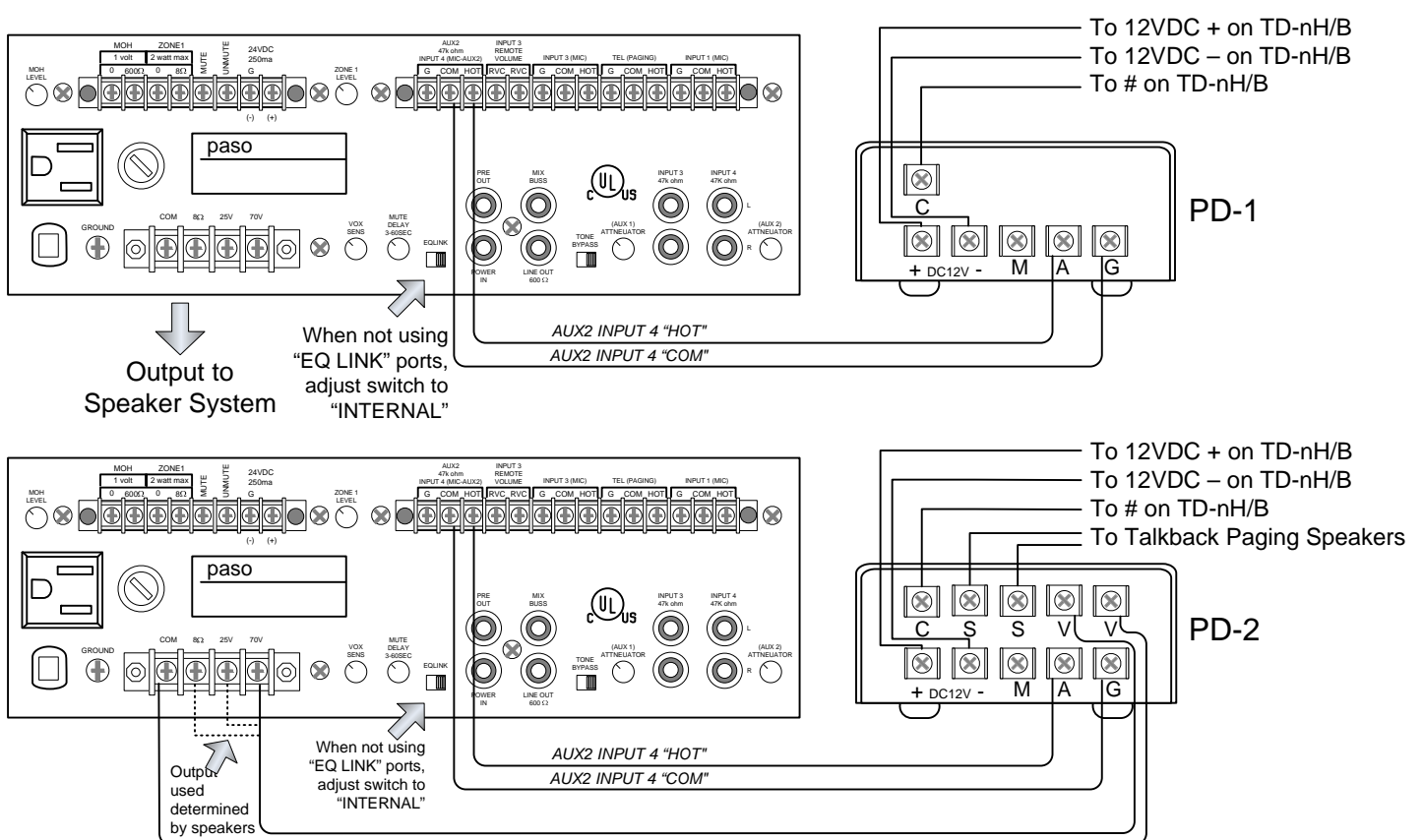
WIRING DIAGRAM

T3115BGM or T3130BGM with the PD-1 or PD-2 and TD-H System:



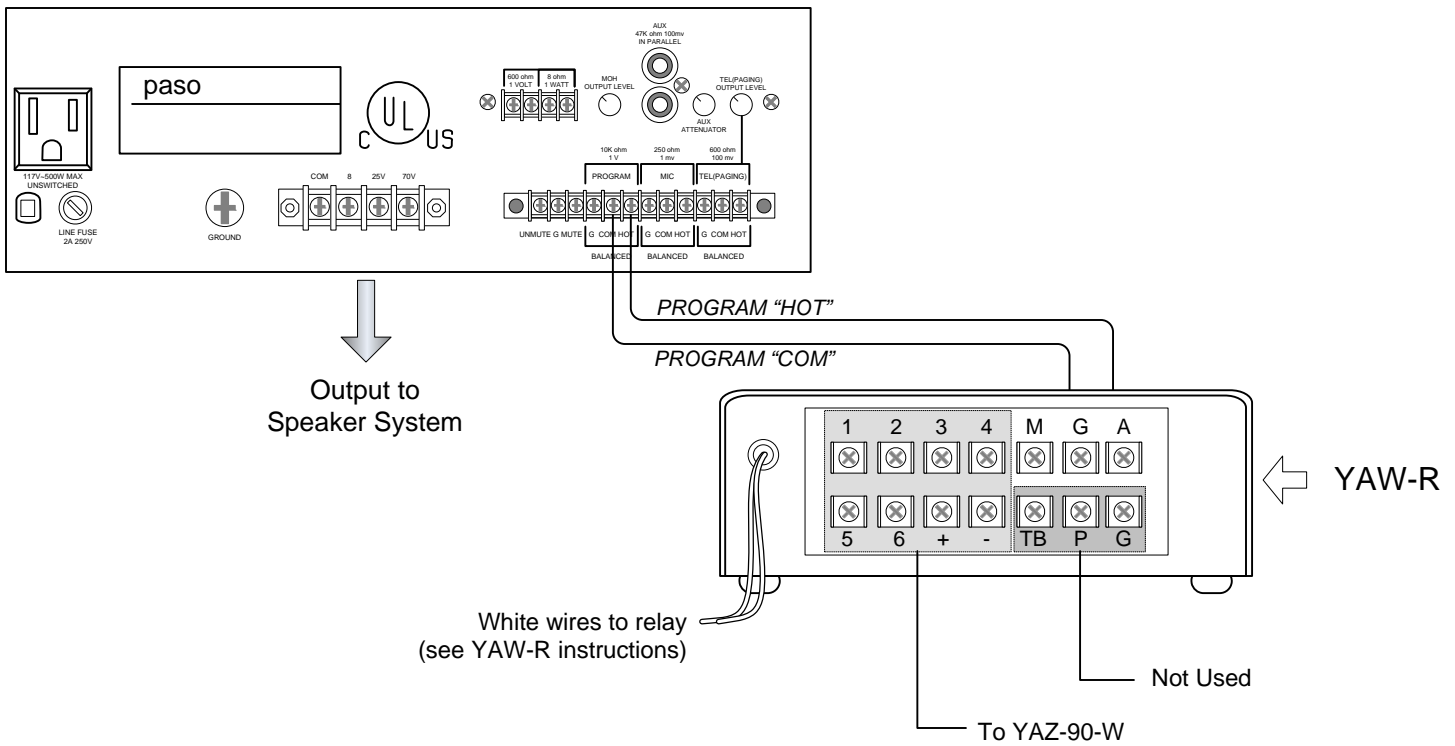
WIRING DIAGRAM

DMA2060 or DMA2120 with the PD-1 or PD-2 and TD-H System:



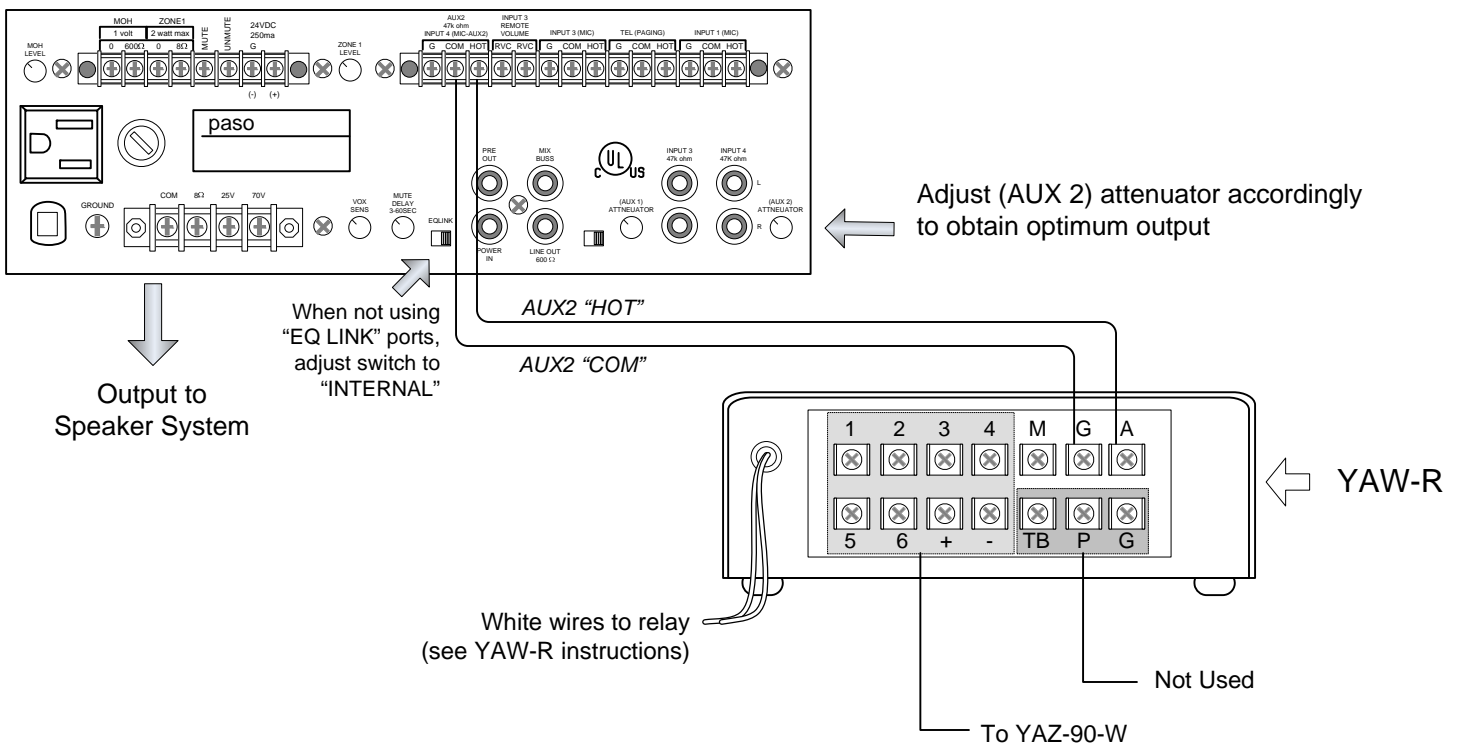
WIRING DIAGRAM

T3115BGM or T3130BGM with the YAW-R/B on the YAZ System:



WIRING DIAGRAM

DMA2060 or DMA2120 with the YAW-R/B on the YAZ System:



MODELS	WATTAGE	INPUTS	OUTPUTS
T3115BGM	15 Watts	Mic (250 ohm, 1 mV) Telephone (600 ohm, 1 mV) Auxiliary (47K ohm, 100mV) Program (10K ohm)	8 ohm 25V 70V
T3130BGM	30 Watts	Mic (250 ohm, 1 mV) Telephone (600 ohm, 1 mV) Auxiliary (47K ohm, 100mV) Program (10K ohm)	8 ohm 25V 70V
DMA2060	60 Watts	Mic (250 ohm, 1.5mV) Telephone (600 ohm, 100mV) Input 3: Mic 3 - Aux 1 balanced Input 4: Mic 3 - Aux 2 balanced MOH (1V)	8 ohm 25V 70V Zone 1 (8 ohm, 2W) Line out (600 ohm)
DMA2120	120 Watts	Mic (250ohm, 1.5mV) Telephone (600ohm, 100mV) Input 3: Mic 3 - Aux 1 balanced Input 4: Mic 3 - Aux 2 balanced MOH (1V)	8 ohm 25V 70V Zone 1 (8 ohm, 2W) Line out (600 ohm)

See PASO Amplifier Installation Manual & Operating Instructions for complete information.

T3115BGM (15W); T3130BGM (30W)



DMA2060 (60W); DMA2120 (120W)



SERVICE ISSUES:

To receive Technical Support for connecting your Amplifier with an Aiphone system:

1. Contact Aiphone Technical Support at (800) 692-0200 during the hours of 6:00AM to 4:30 PM Pacific Time.
2. For questions about the amplifier other than connection to the Aiphone system, contact Paso's Technical Support at (800) 231-3034.

To obtain Repair Service on your Paso Amplifier provided by Aiphone, please do the following:

1. Contact Aiphone Customer Service to receive a Repair Order Form, or locate it on our website under Customer Service.
2. Fill out the form and email or fax it back to Aiphone to receive your RO number.
email: cust-serv@aiphone.com fax: 800-525-3372
3. We will provide you with the shipping information to return your amplifier for service.

See the back page of the Paso Amplifier instructions for further information on service issues.

IMPORTANT: If the Amplifier was Provided by Aiphone, you must contact Aiphone to get an RO Number before sending your unit in for service.

SPECIFICATIONS and WARRANTY:

Refer to Paso Installation and Operating Instructions included with the Amplifier.