

SYSTEM/MODEL: LEF

MODIFICATION: Separate transmit and receive volume controls

DIFFICULTY LEVEL: 5 - Hard - Circuit creation and internal addition.

COMPONENTS REQUIRED: 1. Potentiometer: 10K ohm
2. Resistor: 5.6K ohm

INSTR/OPERATIONS: 1. Install potentiometer and resistor as shown on schematic.
2. Cut trace as shown on schematic.
3. Potentiometer will lower outgoing volume. Main volume control on the master will control the overall volume in both directions.

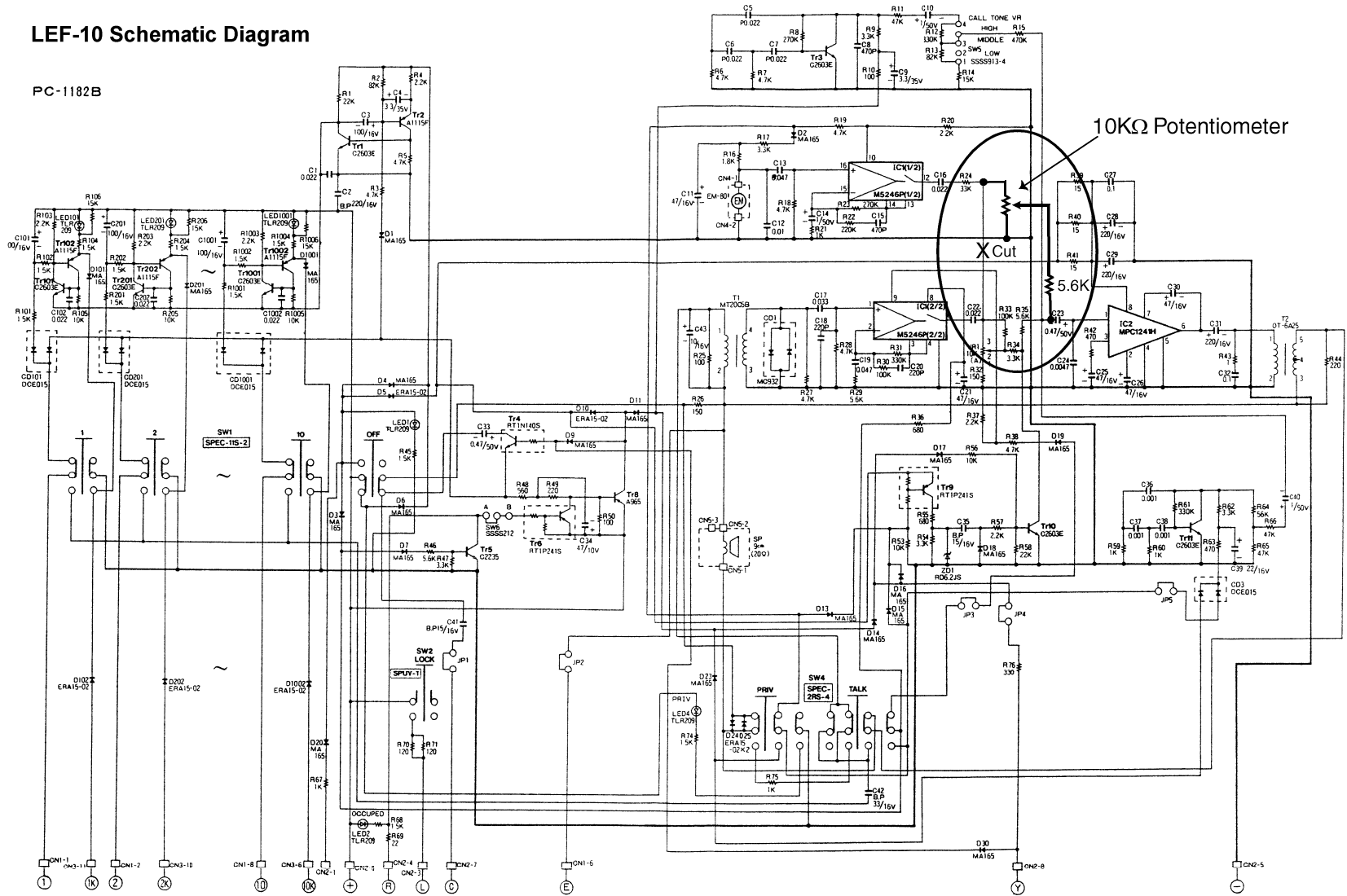
REFERENCE DRAWING #:

Aiphone's product warranty applies to products properly modified using these instructions.
However, if a unit is damaged as a result of improper modification, the warranty does not apply.

SEPARATE TRANSMIT AND RECEIVE VOLUME CONTROLS (LEF-10)

LEF-10 Schematic Diagram

PC-1182B



Add components as shown above. Cut trace where marked with an X. Potentiometer will lower outgoing volume. Main volume control on the master station will control the overall volume in both directions.