

**SYSTEM/MODEL:** LEF

**MODIFICATION:** Selective door release on the LEF system

**DIFFICULTY LEVEL:** 2 - Easy/moderate - Component connection to external points.

- COMPONENTS REQUIRED:**
1. LEF-5, LEF-10, or LEF-10S master station.  
\*The S.O.P. LEF-3L master station can also be used.
  2. RY-PA relay: One per door being released.
  3. Door station: Any LE- or LS- series.

- INSTR/OPERATIONS:**
1. Install stations as per instructions provided with units.
  2. Connect RY-PA relays as shown on diagram.
  3. The "K#" terminals shown in the diagram are available only on the LEF-5/5C/10/10S/10C masters. (LEF-3L has colored wires.) They are not provided on the optional LEW-series desktop terminal boxes. If LEW-series terminal boxes are required, connect door release wires directly to master, bypassing the LEW terminal boxes.

**REFERENCE DRAWING #:**

Aiphone's product warranty applies to products properly modified using these instructions.  
However, if a unit is damaged as a result of improper modification, the warranty does not apply.

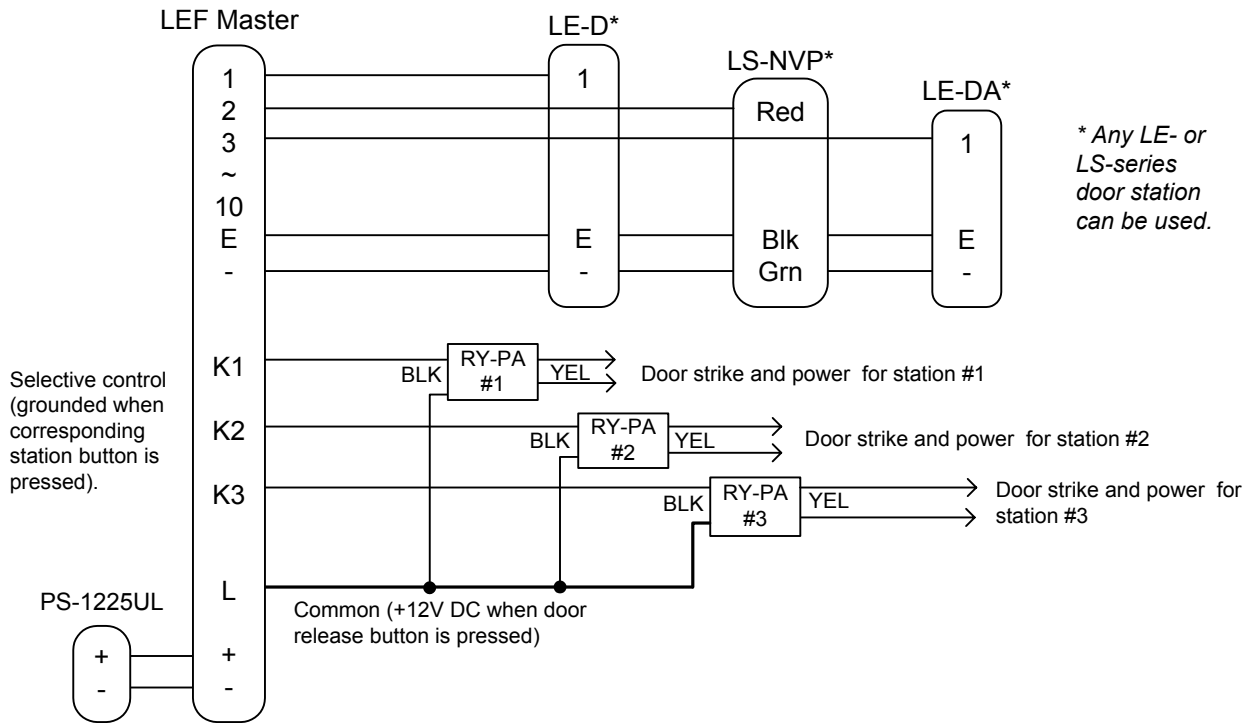
## LEF INTERCOM SYSTEM WITH SELECTIVE DOOR RELEASE

**LEF-5                  LEF-10/10S**  
**LEF-5C                LEF-10C**

### - INSTRUCTIONS -

The LEF 5- and 10-call master stations are equipped with selective door release capability (as well as the S.O.P. model LEF-3L). The door release button on the master station will release the door corresponding with the door station where communication is established.

#### WIRING DIAGRAM:



#### NOTES:

1. On the LEF master station, the extra outputs are labeled K1 ~ K5 or K1 ~ K10. In a system with selective door release, an RY-PA relay is required for each door to be released.
2. If multiple masters are used within a system and all masters need to activate the door release, connect the K terminals between master stations.
3. Only wiring concerning selective door release is shown here. For complete system installation information, please refer to the standard LEF instructions.