

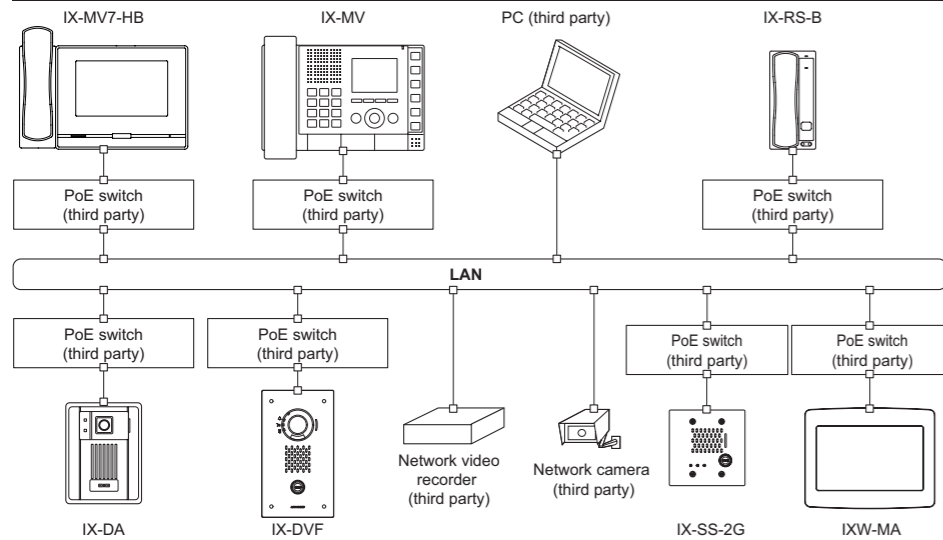
## Introduction

- Read this manual before installation and connection. Read the "Setting Manual" and "Operation Manual". The manuals can be downloaded from our homepage at "https://www.aiphone.net/product/support/" free of charge. (The manuals will be available from 9 November 2018 onwards.)
- After completing installation and connection, program the system according to the "Setting Manual". The system cannot operate unless it is programmed.
- After performing installation, review with the customer how to operate system. Leave documentation accompanying the Master Station with the customer.



Perform installation and connection only after gaining sufficient understanding of the system and this manual. The illustrations used in this manual may differ from the actual stations.

## Example of System Configuration



## Status Indicator

Refer to "IX-SS-2G Operation Manual" for additional indicators not listed below.

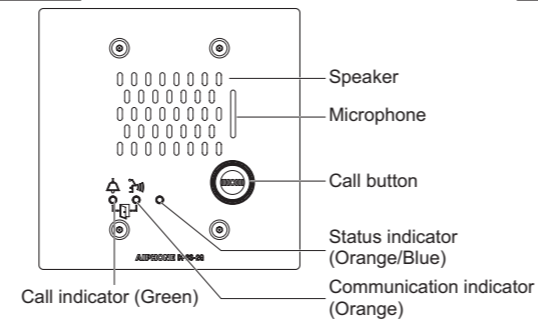
☀: Lit □: Off

Status (pattern)		Meaning
Orange flashing	Normal flashing ☀ 0.75 sec → □ 0.75 sec	Booting
	Rapid flashing ☀ 0.25 sec → □ 0.25 sec	Device error, Startup error
	Long interval flashing ☀ 0.5 sec → □ 4 sec	Communication failure
	Long irregular flashing ☀ 1 sec → □ 0.25 sec → ☀ 0.25 sec → □ 0.25 sec → ☀ 0.25 sec → □ 0.25 sec	Firmware version updating
	Short irregular flashing ☀ 1 sec → □ 0.25 sec → ☀ 0.25 sec → □ 0.25 sec	Initializing
Blue light	☀	Standby

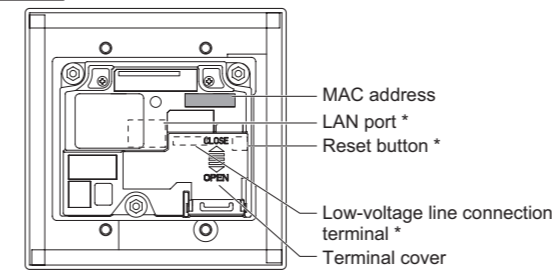
## Part Names and Accessories

### IX-SS-2G

Front view

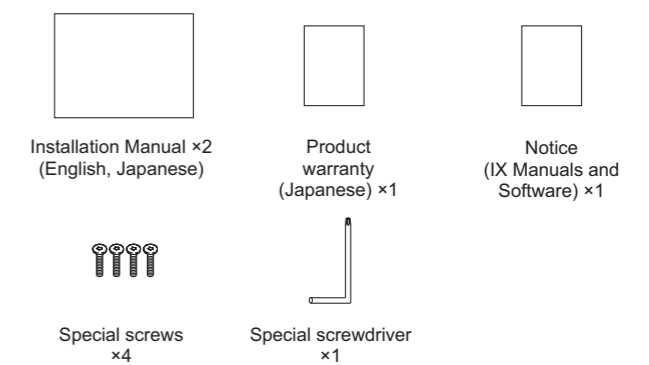


Back view



\* Accessible when terminal cover is opened

### Included accessories



## Precautions



### Warning

Negligence could result in death or serious injury.



**Do not disassemble or modify the device.**  
May cause fire or electrical shock.



**The device is not designed to explosion-proof specifications. Do not install or use in an oxygen room or other such locations filled with volatile gases.**  
May cause fire or explosion.



**Do not, under any circumstances, open up the device.**  
Voltage within some internal components may cause electrical shock.



### Caution

Negligence could result in injury to people or damage to property.



**Do not install or connect the device with the power on.**  
May cause electrical shock or malfunction.



**Do not put your ear close to the speaker when using the device.**  
May cause harm to the ear if a sudden loud noise is emitted.



**Do not turn on power without first checking to make sure the wiring is correct and there are no improperly terminated wires.**  
May cause fire or electrical shock.

### General Precautions

- Install low-voltage lines at least 30cm (11") away from high-voltage lines (AC100V, 200V), especially inverter air conditioner wiring. Failure to do so may result in interference or malfunction.

### Notice

- The illustrations and images used in this manual may differ from the actual items.
- If the device is used in areas where there are business-use wireless devices such as a transceiver or mobile phones, it may cause malfunction.
- If the device is installed close to a light dimmer, an inverter electrical appliance or the remote control unit of a hot-water system or floor-heating system, it may create interference and cause a malfunction.
- If the device is installed in an area with an extremely strong electrical field, such as in the vicinity of a broadcasting station, it may create interference and cause a malfunction.

### Precautions for mounting

- Installing the device in the following locations could cause malfunction:
  - **Locations that get hot**  
Close to a heater, boiler, etc.
  - **Locations where there is risk of exposure to liquid, dust, oil, or chemicals**
  - **Locations with high humidity**  
Bathroom, basement, greenhouse, etc.
  - **Locations with low temperature**  
Inside a cold storage warehouse, the front of a cooler, etc.
  - **Locations directly exposed to steam or oil smoke**  
Next to heating devices or a cooking space, etc.
  - **Sulphurous environments such as a hot spring area**
  - **Locations close to the sea or directly exposed to sea breeze**
- If existing wiring is used, the device may not operate properly. In that case, it will be necessary to replace the wiring.
- Do not, under any circumstances, use an impact driver to fasten screws. Doing so may cause damage to the device.

## How to Install

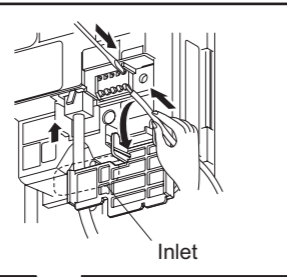
### Installation of Audio Only Door Station

**!** When installing the unit on a rough surface, please use sealant to seal the unit edges to prevent water entering the unit. If the unit edges are left unsealed on a rough surface, IP65 ingress protection rating is not guaranteed.

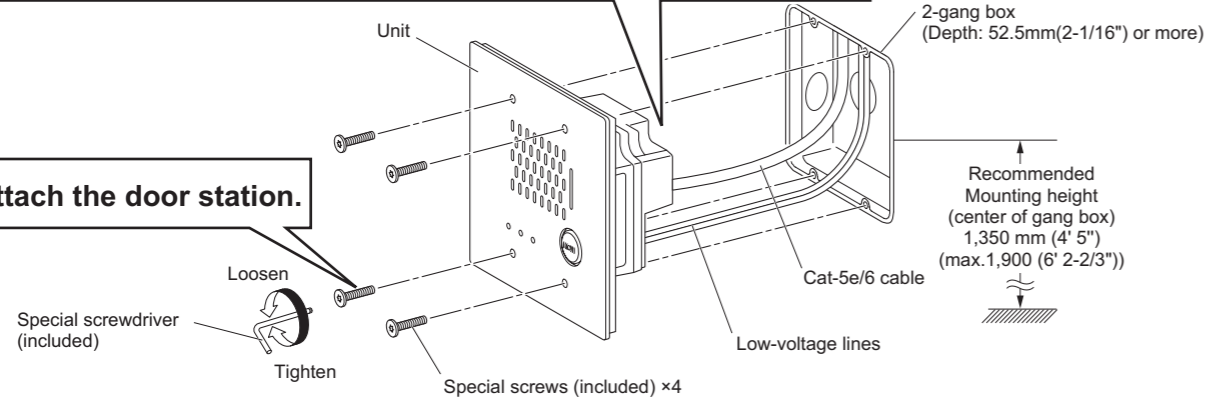
#### 1 Open the terminal cover and connect the Cat-5e/6 cable and the low-voltage lines to the unit.

- ① Slide the terminal cover down.
- ② Open the terminal cover.
- ③ Route the wires through inlet.
- ④ Insert the low-voltage lines and Cat-5e/6 cable, and replace the terminal cover.

**!** Be sure to close the terminal cover when done. If left open, condensation or water may enter, preventing heat dissipation and causing damage.



#### 2 Attach the door station.



## How to Connect

### Connection Precautions

#### ■ Cat-5e/6 cable

- For connection between devices, use a straight-through cable.
- If necessary, when bending the cable, please observe the manufacturer's recommendations. Failure to do so could cause a communication failure.
- Do not strip away the cable insulation any more than is necessary.
- Perform termination in accordance with TIA/EIA-568A or 568B.
- Before connecting the cable, be sure to verify conduction using a LAN checker or similar tool.
- A RJ45 covered connector cannot be connected to the LAN ports of the master stations or the door stations. Use cables without covers on the connectors.



- Be careful not to pull on the cable or subject it to excessive stress.

#### ■ Precautions regarding low-voltage line

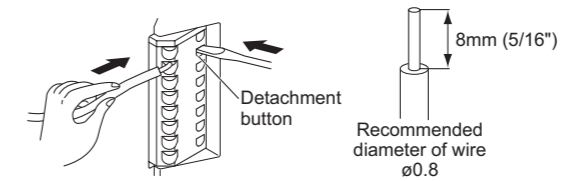
- Use PE (polyethylene)-insulated PVC jacketed cable. Parallel or jacketed conductors, mid-capacitance, non-shielded cable is recommended.
- Never use twisted-pair cable or coaxial cable.
- 2Pr quad V twisted pair cables cannot be used.

Parallel cable      Coaxial cable



### ■ Connection and disconnection of low-voltage lines

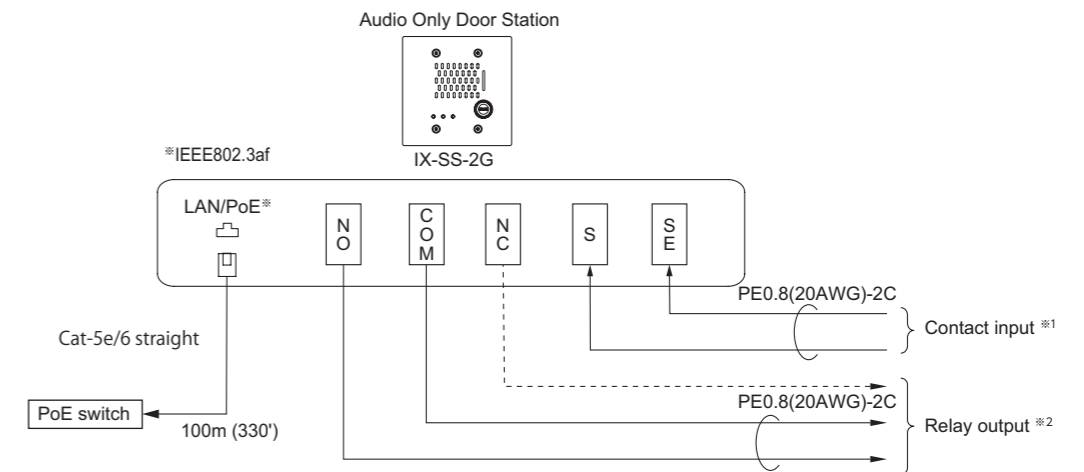
- Insert the line into the quick connection terminal.
- If the line does not go in easily, push the low-voltage line into the terminal while pressing down the detachment button.
- When removing a low-voltage line, pull on the line while pressing down the detachment button.



\* The shape varies depending on a model.

### Wiring Connection

- Insulate and secure unused low-voltage lines.



#### ※ 1 Contact Input Specifications

Input method	Programmable dry contact (N/O or N/C)
	Level detection method
Detection time	100 msec or more
Contact resistance	Make: 700 Ω or less Break: 3 kΩ or more
Terminal short-circuit current	20 mA or less
Voltage between terminals	5.5 VDC or less (between open terminals)

#### ※ 2 Relay Output Specifications

Output method	Form C dry contact (N/O or N/C)
Contact rating	24 VAC, 1 A (resistive load) 24 VDC, 1 A (resistive load) Minimum overload (AC/DC): 100 mV, 0.1 mA