**DESCRIPTION:**

The IS-DV is an aluminum die cast surface mount video door station. The IS-DVF is a stainless steel flush mount video door station. Both units are vandal and weather resistant. They connect to the IS-CCU or IS-SCU using CAT-5e/6 cable. The door stations have a built in dry contact, rated for 24V AC/DC 500mA, for door release. Each unit is equipped with a camera that provides pan, tilt, and zoom functionality from the master station, a speaker and microphone, and call button. A directory strip is provided for location identification. The camera units receive power from the controllers via the CAT-5e/6 cable.

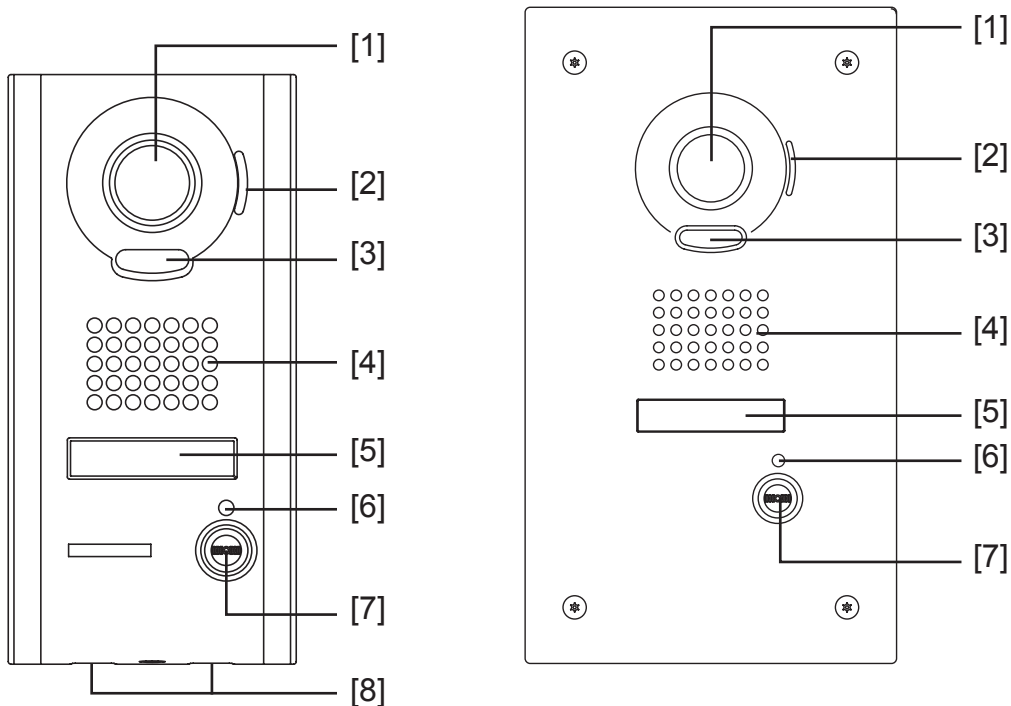
IS-DV, DVF FEATURES:

- Digital PTZ color video camera
- 170° viewing area
- Weather and Vandal resistant
- Dry contact for door release (24V AC/DC, 500mA)
- For indoor or outdoor use
- Aluminum die cast (IS-DV)
- Stainless Steel (IS-DVF)
- Connects using CAT-5e/6 cable

IS-DV, IS-DVF

Video Door Stations for the IS Series

FEATURE CALL-OUT:



FEATURE CALL-OUT DEFINITIONS:

- [1] Camera
- [2] Microphone
- [3] White light LED
- [4] Speaker
- [5] Directory card with backlight
- [6] Status LED (red/orange/green)
- [7] Call button
- [8] Water escape holes (do not obstruct)

SPECIFICATIONS:

Power Source:	Supplied from IS-CCU/SCU
Communication:	Open voice hands-free
Camera:	1/4-inch color CMOS
Min. Illumination:	5 Lux
Camera angle:	Wide: approx. 170° horizontal
Mounting:	
IS-DV	Surface directly to wall
IS-DVF	Flush mount (backbox included)
Front Panel Housing:	
IS-DV	Aluminum die-cast
IS-DVF	Stainless steel
Temperature:	14-140°F (-10-60°C)
Dimensions:	
IS-DV	8-1/2"H x 4-3/16"W x 1-1/8"D
IS-DVF	10-7/16"H x 5-15/16"W x 1-5/8"D
Weight:	
IS-DV	Approx. 1.15lbs (520g)
IS-DVF	Approx. 1.79lbs (810g)
IS-DVF back box	Approx. 1.32lbs (600g)