

**DESCRIPTION:**

The IX-DA is a surface mount IP addressable video door station. The IX-BA is a surface mount IP addressable audio only door station. Both units are weather resistant. They connect to the network using CAT-5e/6 cable. The door stations have a built-in dry contact for door release (24V AC/DC, 500mA). The IX-DA unit is equipped with a fixed camera with vertical angle adjustment. The IX-DA is ONVIF Profile S compliant. The door stations can call up to 20 different master stations (IX-MV or instances of IX Mobile). An additional 20 master stations can be called using the contact input. The speaker and microphone allow for two-way communication with a master station or the IX Mobile App. The 600 ohm output can be used for paging announcements or to run audio to an external speaker/horn. The units are 802.3af PoE compliant.

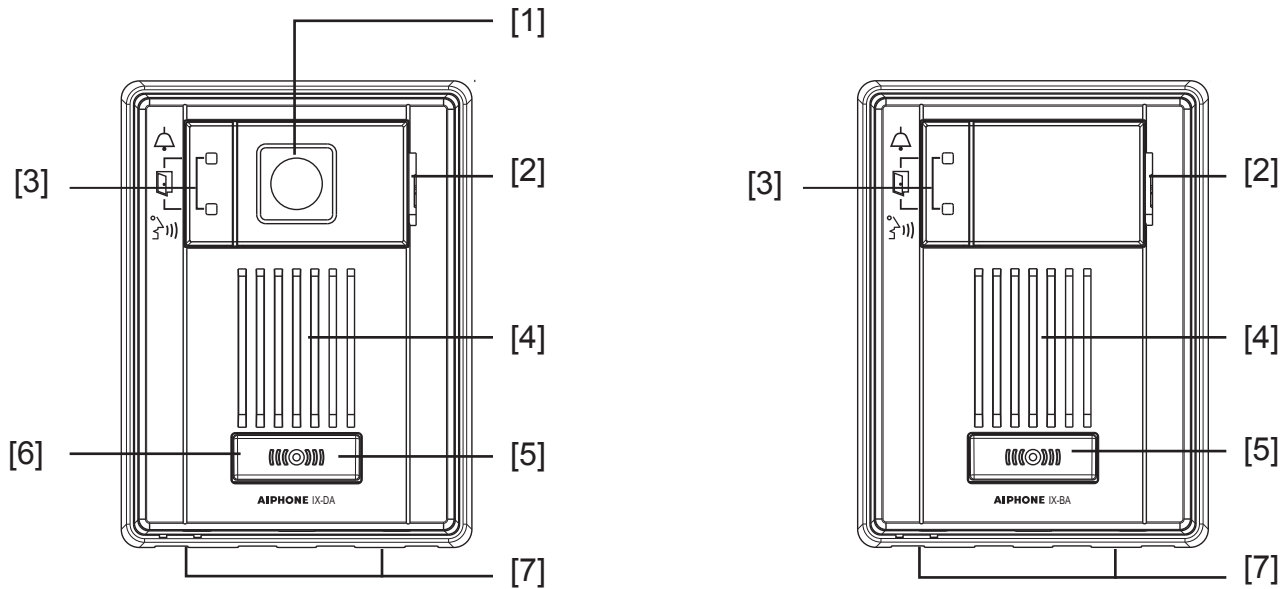
IX-DA, IX-BA FEATURES:

- Fixed color video camera (IX-DA only)
- ONVIF Profile S compliant (IX-DA only)
- Weather resistant
- Normally Open dry contact for door release (24V AC/DC, 500mA)
- For indoor or outdoor use
- ABS Plastic
- 600 ohm line-out for paging or communication
- Contact input for call-in
- Connects using CAT-5e/6 cable
- 802.3af PoE compliant

IX-DA, IX-BA

IP Addressable Surface Mount Door Stations for the IX Series

FEATURE CALL-OUT:



FEATURE CALL-OUT DEFINITIONS:

- [1] Camera
- [2] Microphone
- [3] Status LED's
- [4] Speaker
- [5] Call button
- [6] White LED (for night viewing)
- [7] Water escape holes (do not obstruct)

SPECIFICATIONS:

- Power Source: 802.3af PoE compliant
- Communication: Open voice hands-free
- Camera: 1/4" color CMOS
- Min. illumination: 5 Lux
- Wiring: CAT-5e or CAT-6
- Wiring distance: 330'
- Door release: 24V AC/DC, 500mA (N/O, COM, N/C)
- Audio out: 600Ω, 300mVrms
- Operating Temp: 14° - 140°F (-10° - 60°C)
- Dimensions: 3-13/16"W x 5-1/16"H x 1-5/8"D